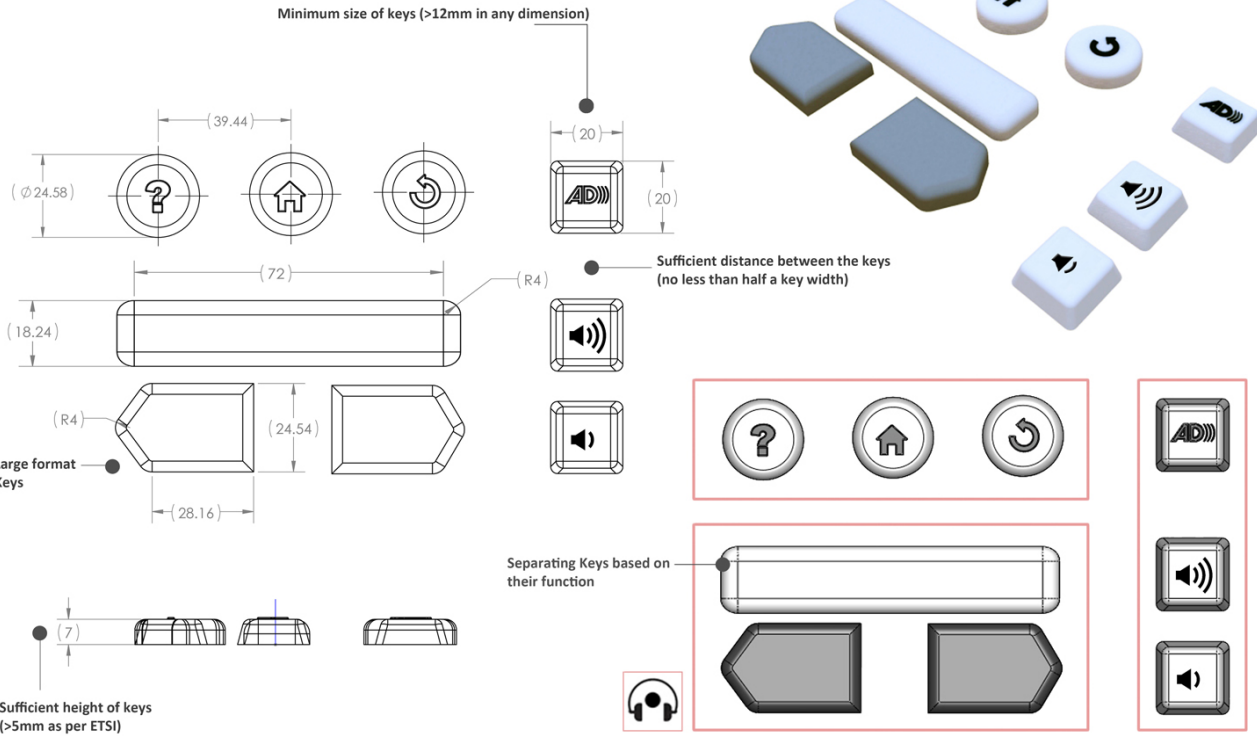


Keypad Concepts (Final 3)

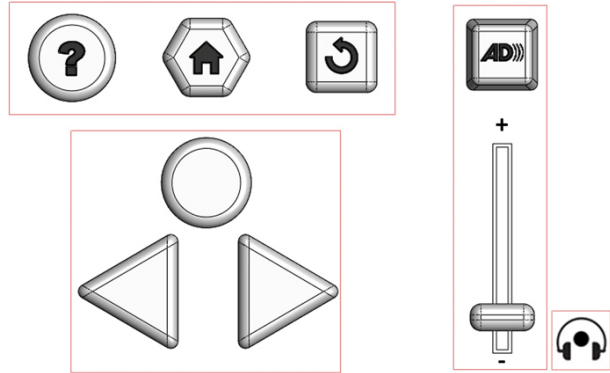
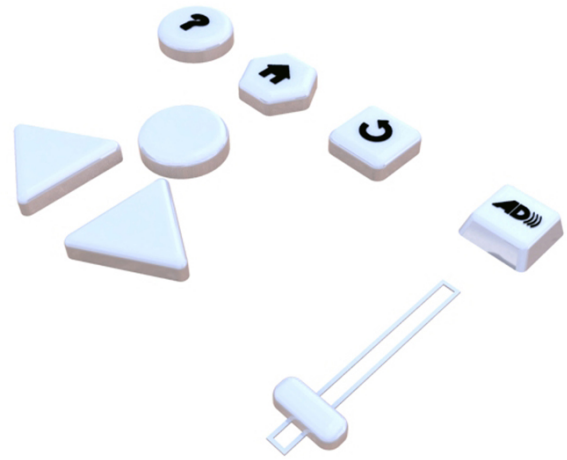
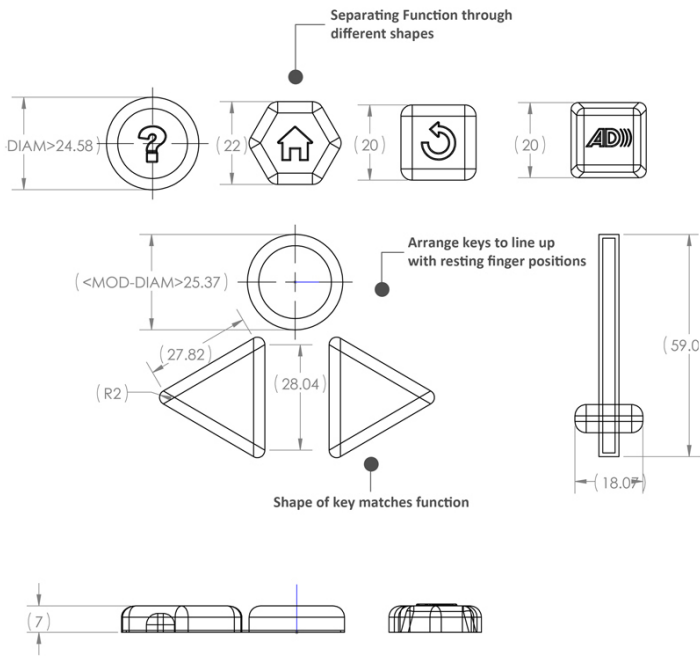


In considering the designs shown in the images below please note that the dimensions are approximate and subject to change based on further testing. We welcome feedback based on the overall layout, key shapes and relative sizes, key groupings etc. Please also see [Keypad Design Motivation](#) for information about the reasoning behind our designs as it relates to accessibility.

Keypad Concept 1



Keypad Concept 2



Keypad Concept 3

